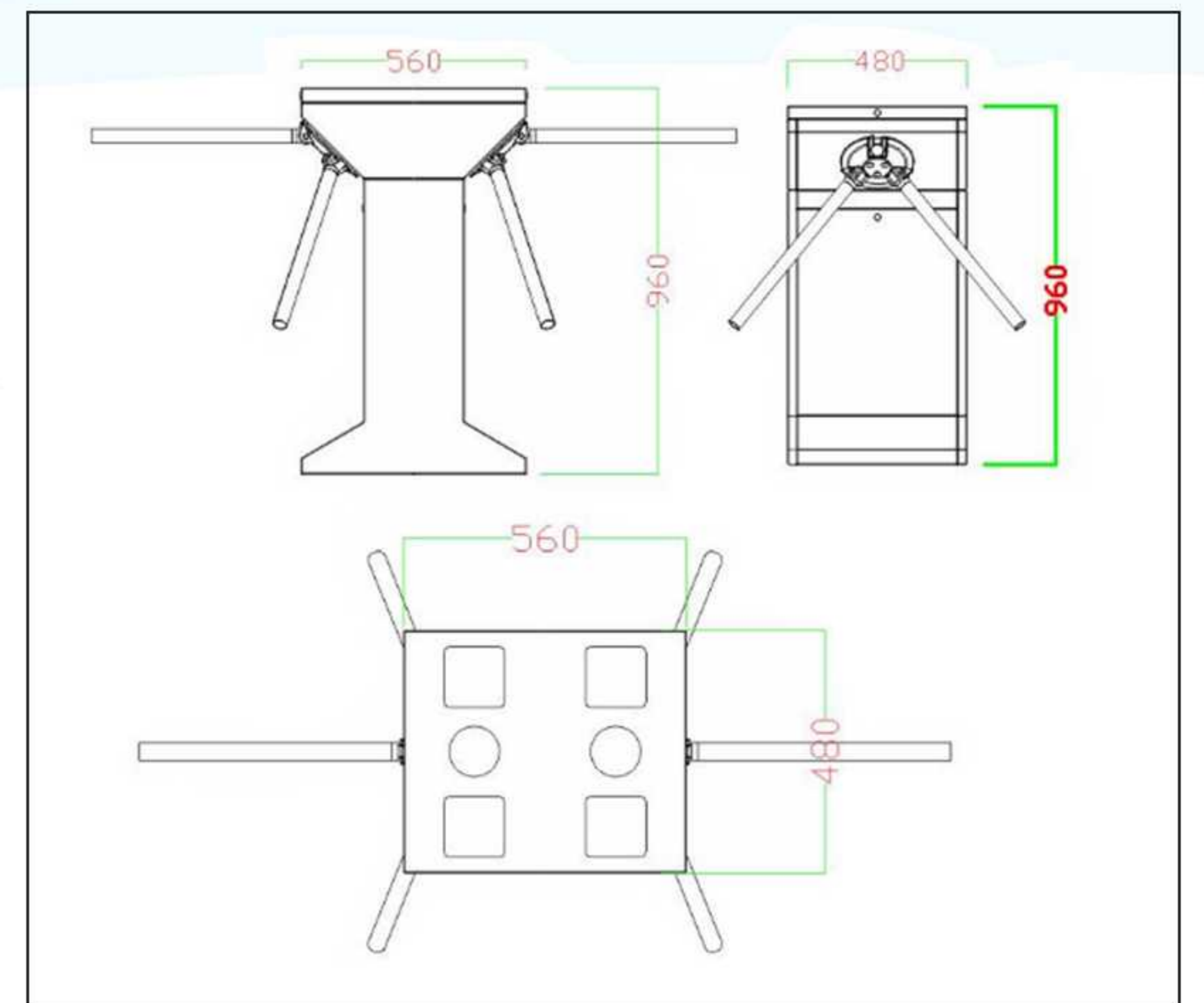


**ET1200**



## ➔ ET1200 : Heavy Duty Tripod Turnstile

Passage Width : =520mm  
 Throughput rate : 35p/m  
 Power Supply : 100 ~240V  
 Operational Voltage : 24V  
 Max Power Consumption : 30 W  
 Frequency : 50~60hz  
 Protection Level : IP 54  
 Working Temperature : -25 ~ +70°C  
 Electro - magnetic Drive : DC  
 Dimension Excluding Bar : 560x480x960 mm  
 Net Weight Including Bar : 80kg

### Features:

#### Controller

- ▶ Semi-Auto mode
- ▶ Pure Mechanical mode
- ▶ Single or Bi-directional function in mechanical and electrical versions

- ▶ Automatic reset of barrier arms after each passage
- ▶ Adjustable time out delay

#### Operating Mode

- ▶ Single passage in the set direction
- ▶ Bi-directional passage
- ▶ Drop arm feature

#### Materials

- ▶ Housing : stainless steel AISI 304 or AISI 316
- ▶ Barrier Arms : Stainless steel
- ▶ Lid (Optional) : Stainless steel or artificial stone (black / brown)

#### Colours & Finishes

- ▶ High quality powder coating plus lacquered finish
- ▶ Dark grey color high quality powder coating plus lacquered finish
- ▶ Sandpaper powder coating with pearl mica effect